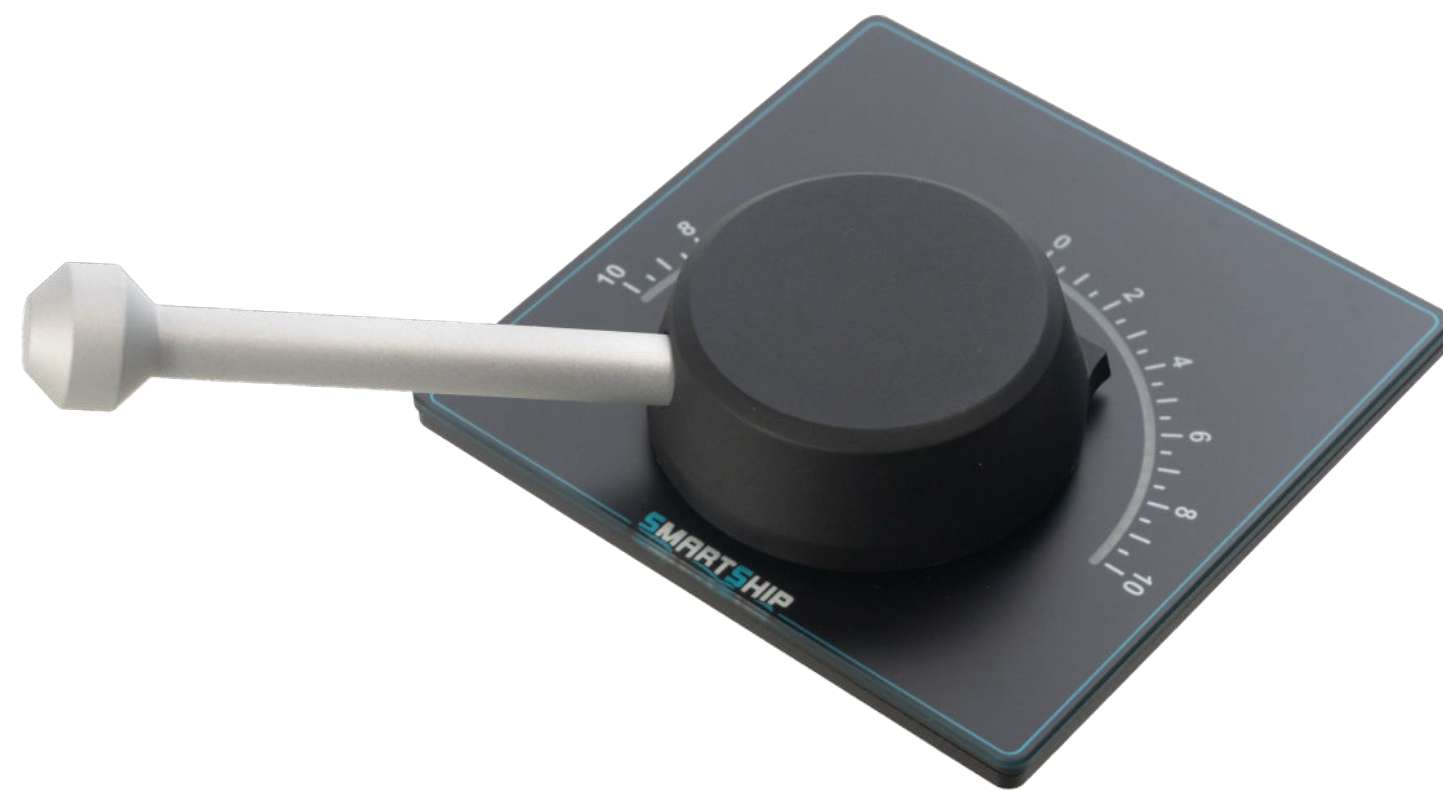


Haptic Tiller Lever

Our Rotary controller providing haptic feedback over full range of motion for all your control applications including rudder, winch and backup propulsion. This Type-approved lever comes with an IP56 rating for open deck applications, as well as various (Redundant) sensor outputs and custom branding options.



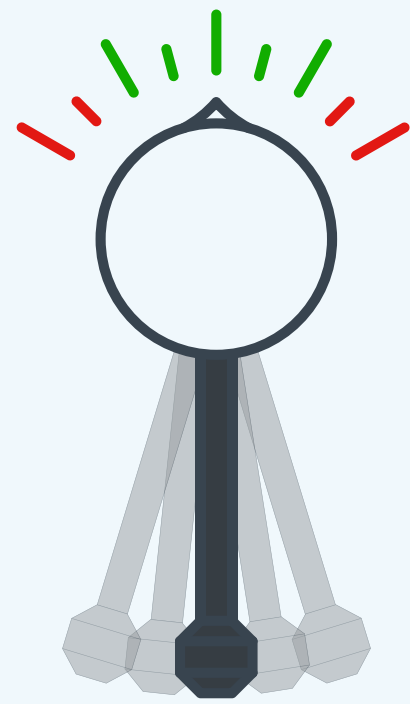
General Specifications	
Travel Tiller Lever	<ul style="list-style-type: none"> • +/- 60° • +/- 90°
Electrical Specifications	
Supply Voltage	24V DC
Output Signal (per lever)* / Interface	<ul style="list-style-type: none"> • 0...5V • 0...10V • 4...20 mA Linear/V-shape • Up to 4 microswitch • MODBUS-RTU** • CANopen**
Environmental Specifications	
IP Rating	IP 56
Operating Temperature	-25°C ... +70°C
Options	
Cover & Layout	<ul style="list-style-type: none"> • Tiller lever • Rotary knob • Custom travel • Custom Glass Panel • Custom Branding
Feedback functions	<ul style="list-style-type: none"> • Personalised detents & friction • Other functions to request

* All signals can be provided with redundant outputs

** Specifications provided on request

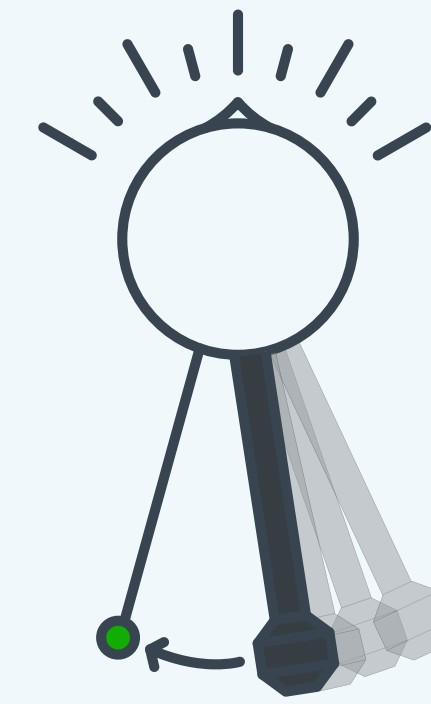
Haptic Tiller Lever

Examples of haptic feedback functionalities



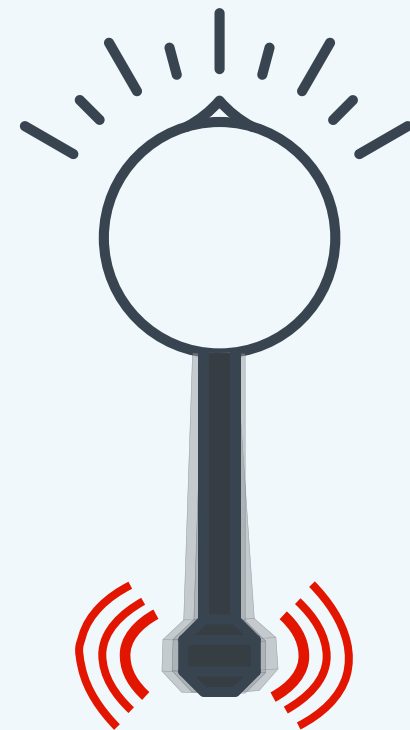
Power management

Communicate a warning to the operator before starting another generator e.g. - by making the operator feel an increased friction or detent just before switching on the extra generator. This also allows the operator to set a maximum fuel/energy consumption.



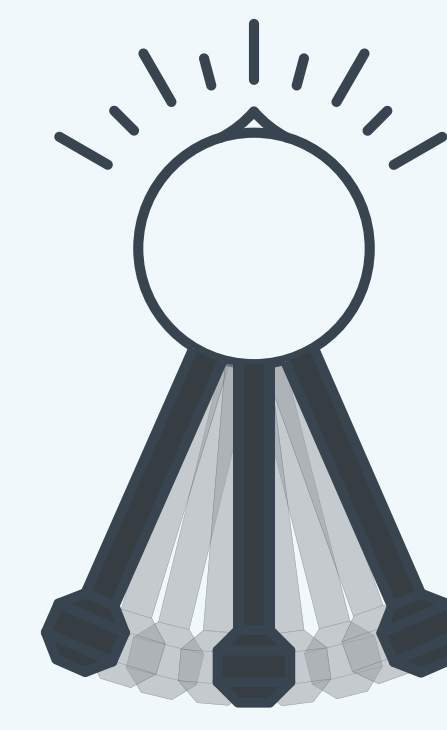
Throttle setpoint

Communicate an ideal/sustainable acceleration speed to the operator through an increased friction/spring whenever the operator is moving the throttle lever too fast - the friction/spring will disappear whenever the operator matches the actual pre-defined ramp-up speed.



Proximity warnings

Communicate a warning vibration to the operator whenever the vessel is nearing the shore at a speed above a pre-defined threshold.

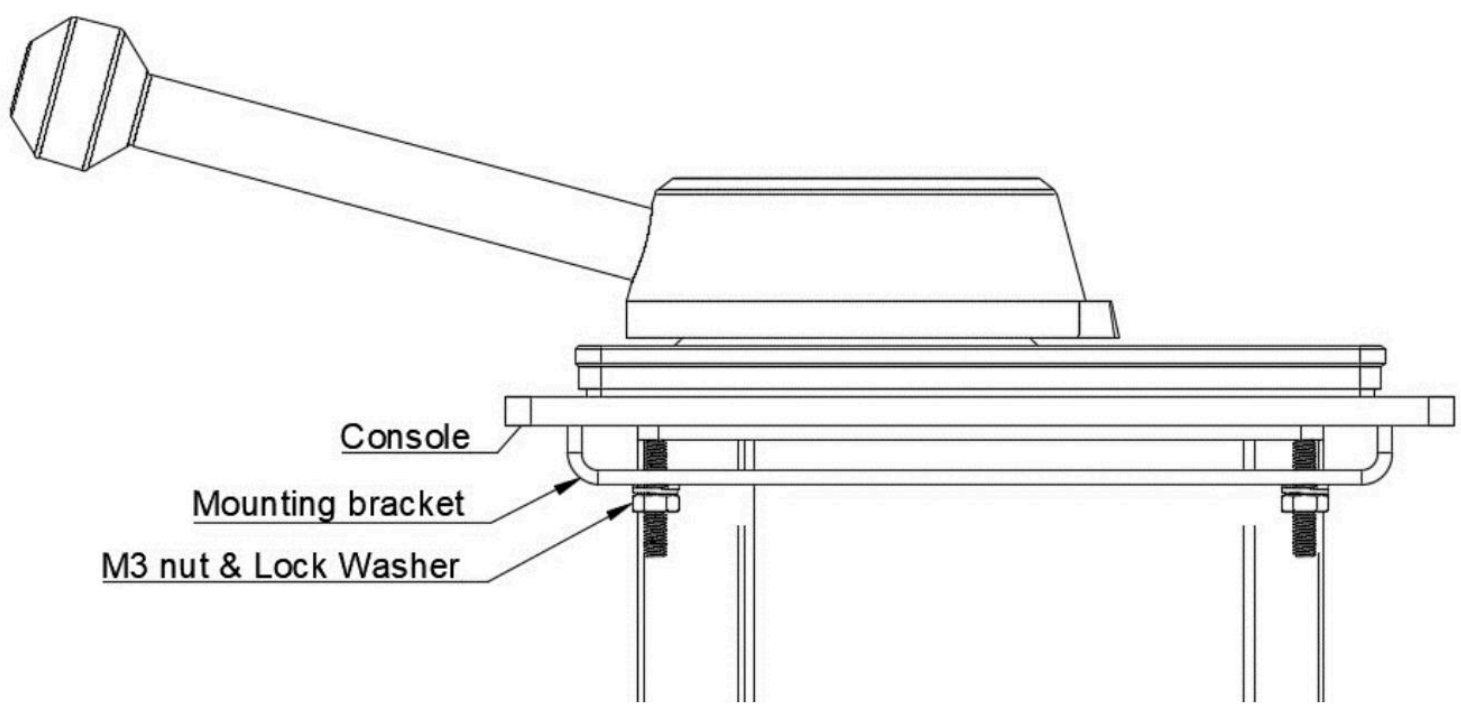
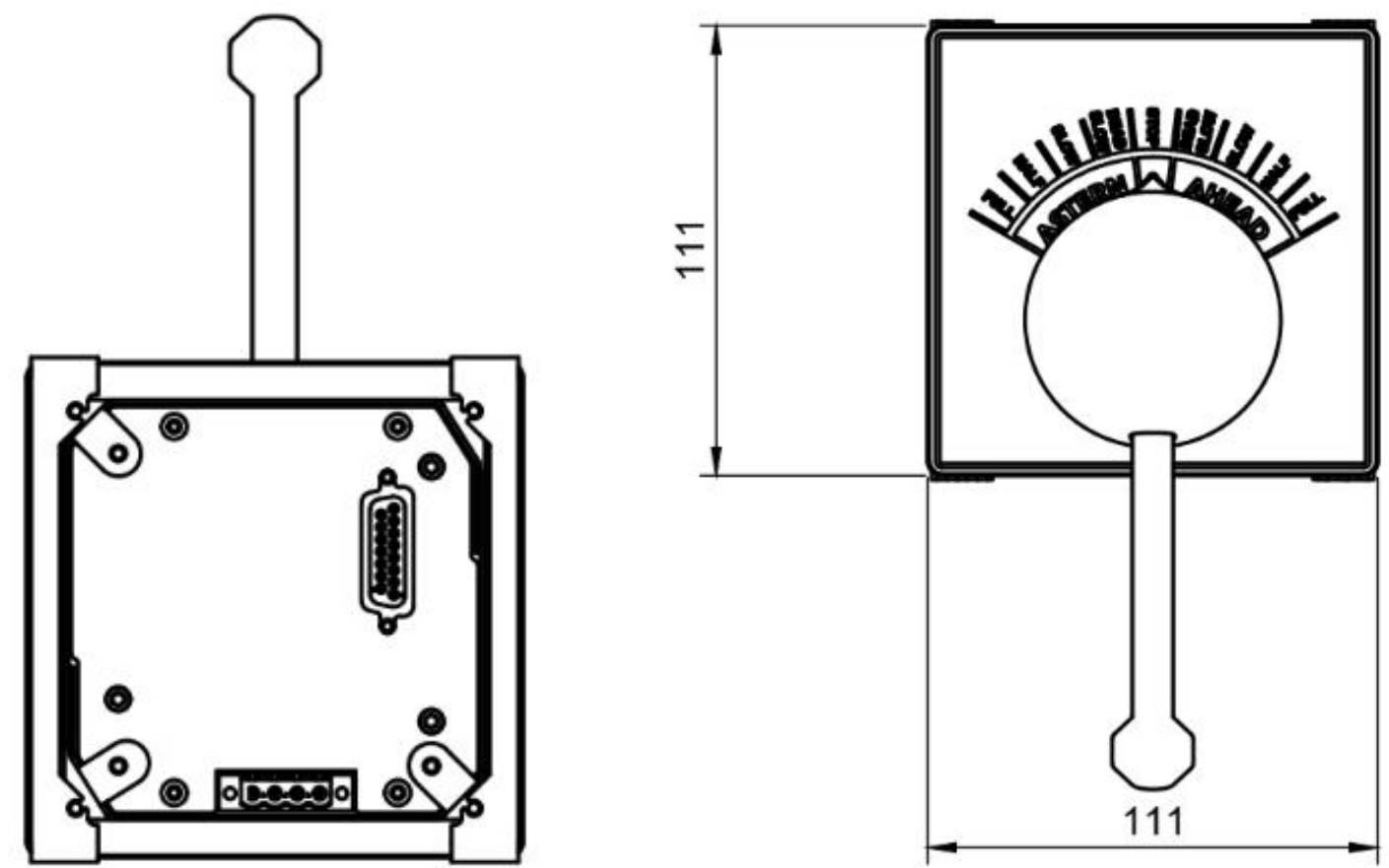
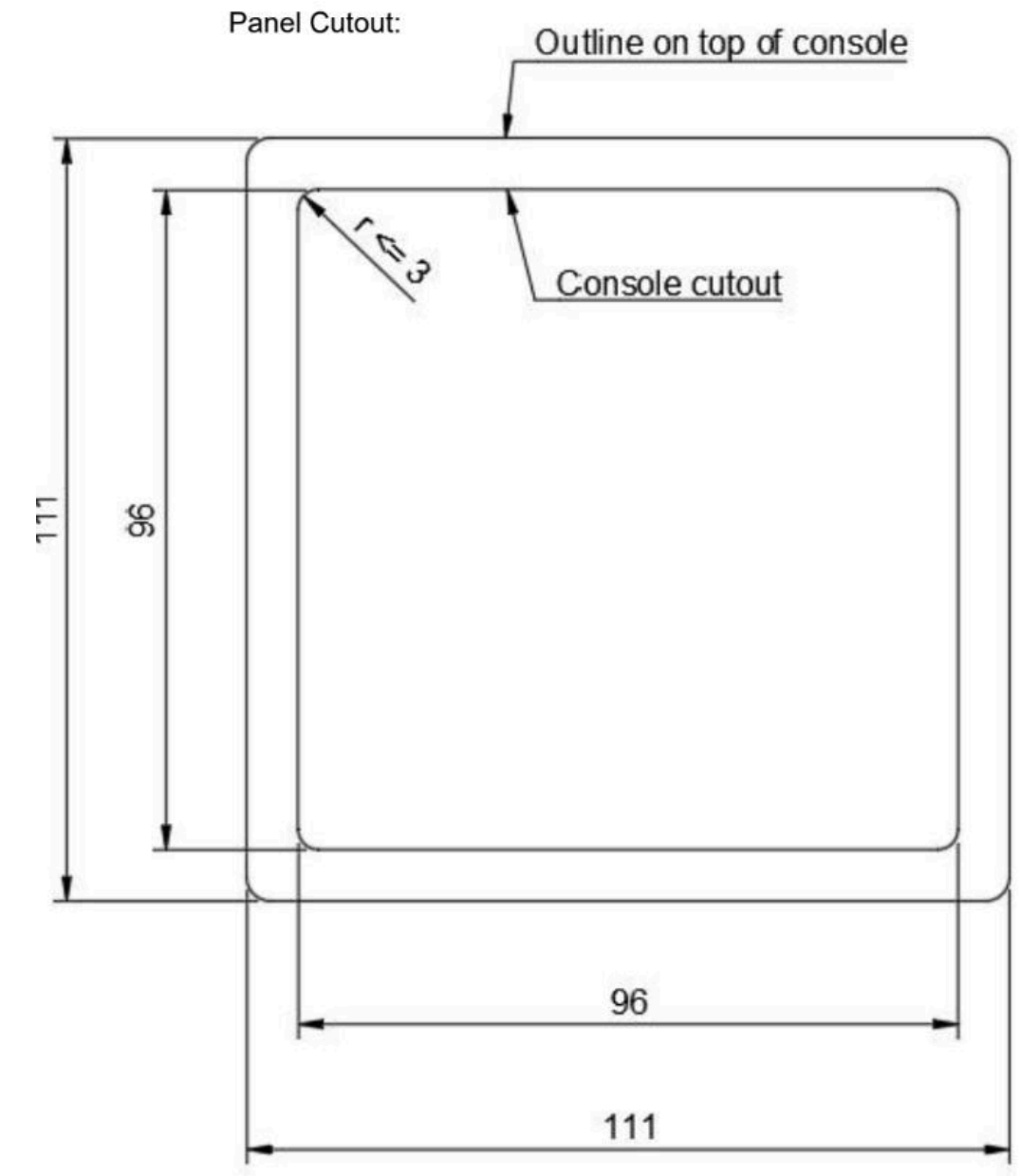
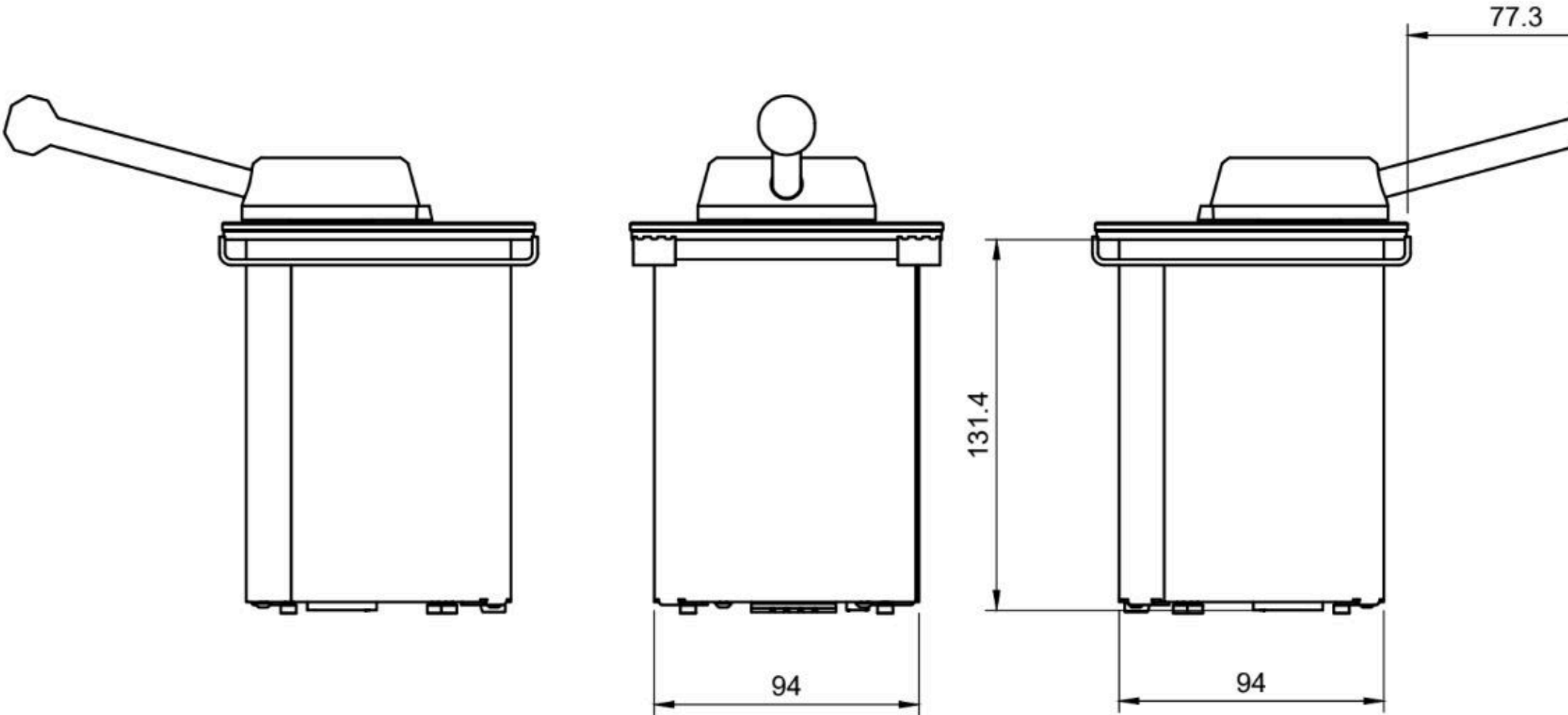


Maximum speeds

Communicate a warning vibration whenever sailing too fast through a certain GPS-zone or indicate a threshold by way of a spring whenever accelerating to a too high speed in that certain GPS-zone.

Haptic Tiller Lever

Cut-outs & Dimensions



Contact

Please reach out to us for more information or a demo of our products through:

info@smart-ship.eu | www.smart-ship.eu

Visit our website for more information on our technology and projects.

Molengraaffsingel 12
2629JD Delft
Zuid-Holland, The Netherlands



www.smart-ship.eu